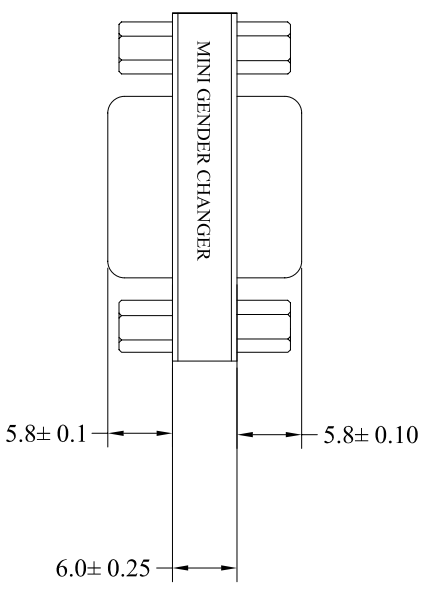
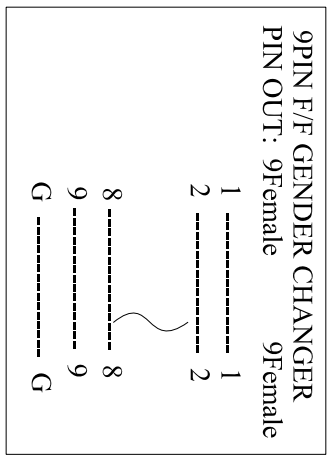
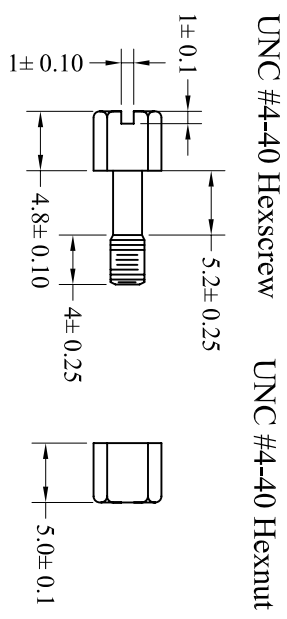
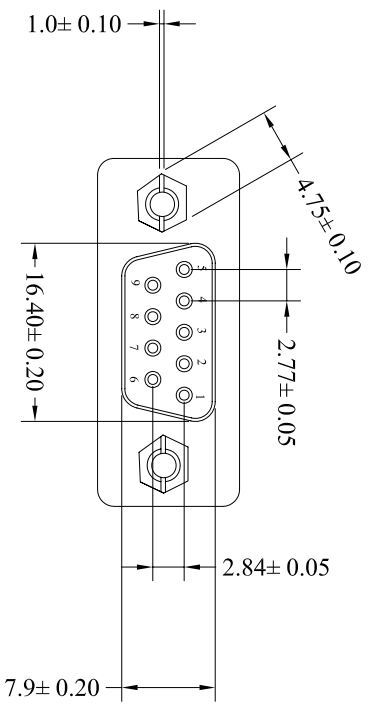
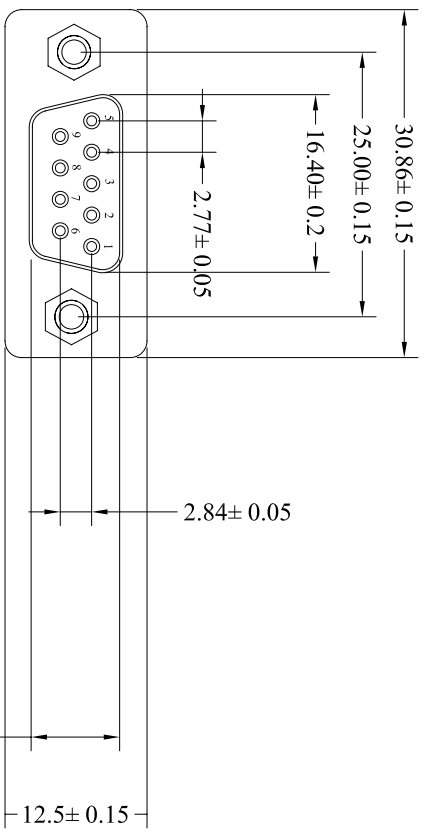


Signature	Date	Rev.
Norman Xu	Dec.20,2005	01

Revision History	Date	Rev.
For Bulk Production	Dec.20,2005	01



1. Label: yellow color with black character.
 2. One side: MINI GENDER CHANGER
 3. The other side: U.S.A. PATENT 5199906 GENDER CHANGER
 4. INSULATOR: PBT Glass fibre reinforced UL 94V-0.
 5. CONTACT: Brass.
 6. CONTACT PLATING: Gold plated over nickle.
 7. SHELL: Tin Plated Shell.
 8. CURRENT RATING: 3AMP
 9. DIELECTRIC STRENGTH: 1000V AC for one minute.
- INSULATOR RESISTANCE: 1000M OHM min at 500V DC
TEMPERATURE: -55°C----+105°C



Date	Name
Dec.20,2005	Norman Xu
Dec.20,2005	Alex Dan

Part No.	AB 411
Title.	MINI GENDER CHANGER

ASSMANN Electronic GmbH		Scale	N/A	Sheet	1/1
Drawn by	Dec.20,2005	Unit	MM		
Checked by	Dec.20,2005				
Approved by					

1	2	3	4	5	6	7	
1	2	3	4	5	6	7	
H	G	F	E	D	C	B	A

STR80834