

1

2

3

4

5

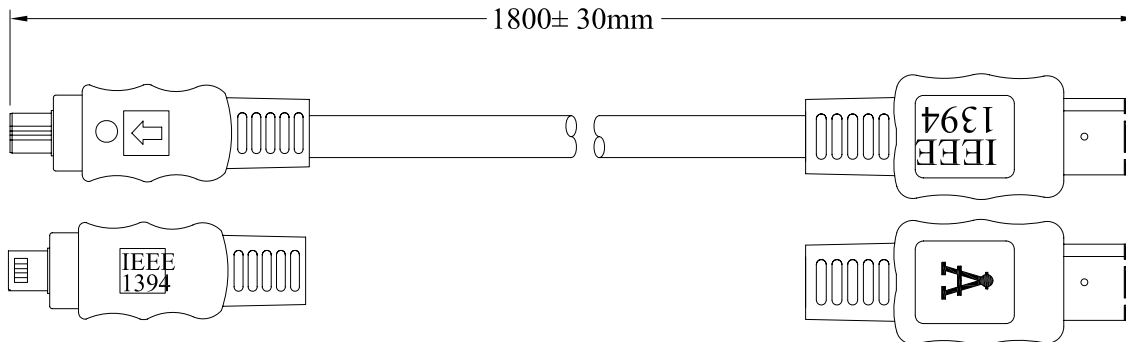
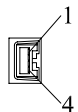
6

7

Signature	Revision History	Date	Rev.
Norman Xu	For Bulk Production	Dec.20,2005	01

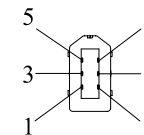
IEEE1394 4M
PLASTIC:BLACK

P1



IEEE 1394 6M
PLASTIC:BLACK

P2



NOTE:

1. CABLE: [28AWG(7/0.127)T.C*1PAIR+AL/MYLAR+SPIRAL(66/0.08)]*2+FILLER+MYLAR*2+BRAID(95%)+PVC JACKET COLOR:MATT BLACK.

OD:6.0±0.15mm UL20276 IEEE 1394 CABLE

2.CONNECTOR:

P1: IEEE1394 4PIN MALE GOLD PLATED 15μ'' CONTACT NICKEL PLATED SHELL.

P2: IEEE1394 6PIN MALE GOLD PLATED 15 μ'' CONTACT NICKEL PLATED SHELL.

3.HOOD: P1: MOLDED TYPE,COLOR:MATT BLACK.

P2: MOLDED TYPE,COLOR:MATT BLACK.

4.TEST REQUESTED :

<1>.100% OPEN SHORT MIS WIRE TEST

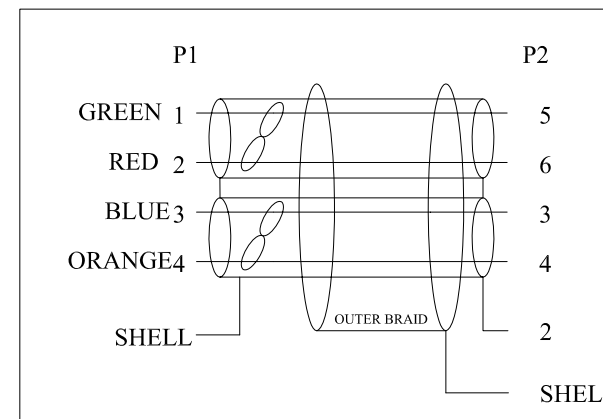
<2>.CONTACT RESISTANCE 3Ω MAX

<3>.INSULATION RESISTANCE 20MΩ MIN

5.PACKING:SEE P-0039 REV.C PACKING DRAWING

PACKING TYPE: DB VP3

(HANKING SIZE MUST BE SMALLER THAN PACKING)



Date		Name		Part No.	
Drawn by	Dec.20,2005	Norman Xu	<h1>AK-1394-184</h1>		
Checked by	Dec.20,2005	Alex Dan			
Approved by					
<h1>ASSMANN</h1> Electronic GmbH				Title:	
				1394 A 6PIN MALE TO 1394 A 4PIN MALE CABLE, 1.8M	
				Scale	N/A
Unit	MM				

RoHS Compliant

EAN Code:
4016032051725

ST81407

1

2

3

4

5

6

7