

1

2

3

4

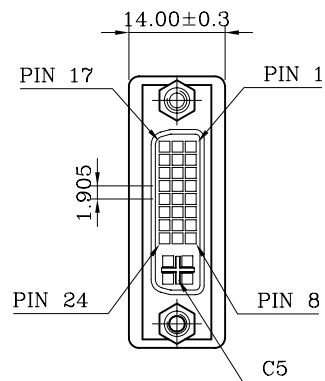
5

6

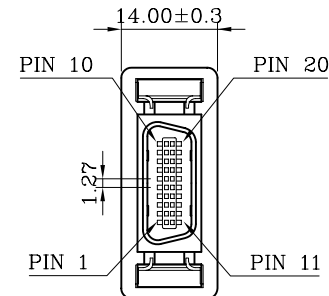
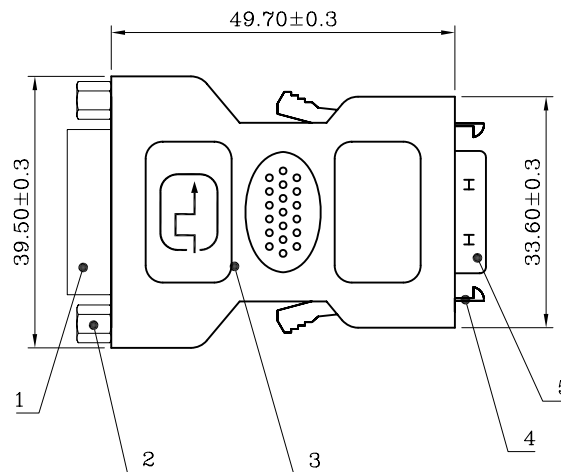
7

Signature	Revision History	Date	Rev.
Norman Xu	For bulk production	Dec.20,2005	01

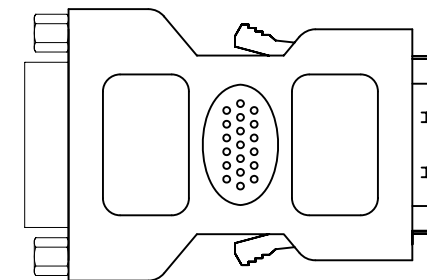
A



DVI29F



MC20M



BACK SIDE

PIN OUT

DVI 29PIN (F)	MC 20PIN (M)
1	12
2	11
3	13
6	20
7	19
9	2
10	1
11	3
14	8
15	7
16	18
17	16
18	15
19	14
22	4
23	5
24	6
SHIELD	SHIELD

NOTES:

1. DVI 29F: DVI-Digital 29P Female Connector, Insulator: High Temperature Plastic UL-94V-0 Contact: Phosphor Bronze, Metal Board Lock: Zinc Alloy With Tin Plating 150 μ" Over Shell: Zinc Alloy With Nickel Plated 150 μ" Over Contact Plating: G/F Selective Plating

2. Screw Lock: UNC #4-40 Nickel Plated.

3. Hood: PVC Molded Color Black Inner molded with Copper Foil Shielded.

4. Latch: Spring Latch Phosphor Bronze Nickel Plated, Color Black.

5. MC20M: Half pitch Centronic 1.27mm 20P male connector, Shell: Steel Nickel Plated Inner Insulation: P.B.T Black, Contact: Phosphor Bronze. 5 μ" Gold Plated.

• 100% OPEN / SHORT / INSULATING TEST

• INSULATION TEST: 5MΩ

• PACKING: SEE P-0039 REV.C PACKING DRAWING.

• EAN-CODE: 4016032083641

G

Date		Name		Part No.	
Drawn by	Dec.20,2005	Norman Xu	AB 541		
Checked by	Dec.20,2005	Alex Dan			
Approved by					
ASSMANN Electronic GmbH				Title.	
				DVI-D/F - DFP/M ADAPTOR	
				Scale	N/A
Unit		MM			

ST81407

H

1

2

3

4

5

6

7