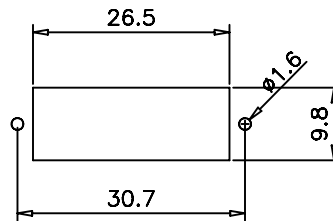
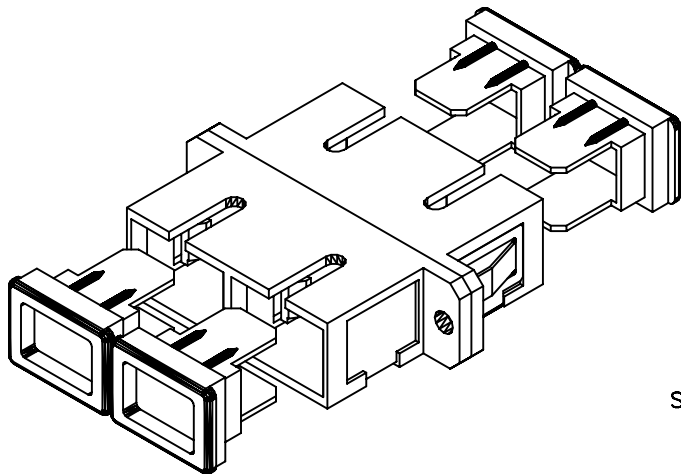


## DESCRIPTION

RECOMMENDED PANEL THICKNESS 1.60±0.1



SUGGESTED PANEL CUTOUT

## MECHANICAL :

	<b>MATERIAL</b>	<b>Q'TY</b>
1. SC HOUSING	PBT(UL 94-V0)	2
2. HOLDER	PBT(UL 94-V0)	4
3. SLEEVE	ZIRCONIA	2
4. CLIP	STAINLESS	1
5. DUST COVER	PP	4

**JYH ENG**  
**R&D Dept.**  
**ISSUED**  
 02.SEP.2002 Ver.1

	DSGN	FRANK.LEE	DATE	ITEM NO: 15-08S1-1
	CHK			
UNIT M/M	APPR			SC Adaptor-Duplex Type(SM)
SCALE 2/1				
DWG NO: 15-08S1-1				