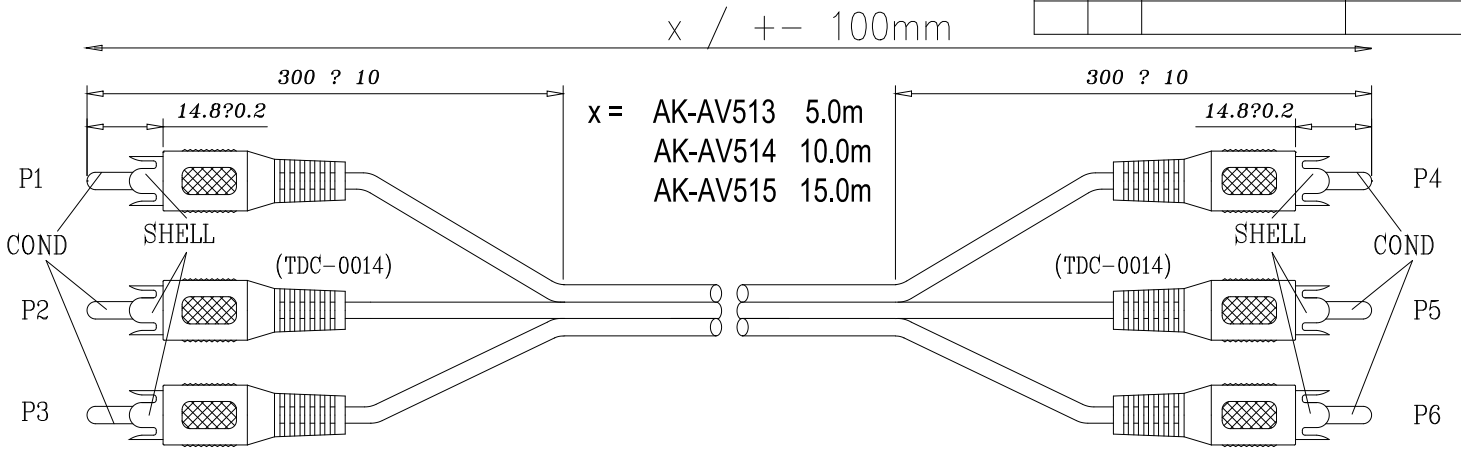


LTR	REV.	DESCRIPTION	DATE



NOTE:

1. CABLE: NON-UL [26AWG(10/0.12)*1C TINNED COPPER INS: PVC + SPIRAL SHIELD(28/0.12)TINNED COPPER]*3FLAT PVC JACKET, COLOR: BLACK(NK-K01), OD: 2.5*7.5±0.15mm .
2. CONNECTOR:
P1~P6: RCA PLUG NICKEL PLATED CONTACT & SHELL .
3. HOOD:
P1&P4: MOLDED TYPE, PVC 45P, COLOR: RED
P2&P5: MOLDED TYPE, PVC 45P, COLOR: WHITE
P3&P6: MOLDED TYPE, PVC 45P, COLOR: YELLOW
4. ELECTRICAL TEST: 100% OPEN SHORT & MIS WIRE TEST .
CONTACT RESISTANCE 3 Ohms MAX
INSULATION RESISTANCE 20M Ohms MIN
5. PACKING: EACH PC / POLYBAG

- P1 COND ——— COND P4
- SHELL ——— SHELL
- P2 COND ——— COND P5
- SHELL ——— SHELL
- P3 COND ——— COND P6
- SHELL ——— SHELL

Tolerance Inch M/M			Assmann Electronic GmbH	
.X	.015	.30	Title	
.XX	.010	.10	RCA PLUG*3 - RCA PLUG*3 CABLE	
.XXX	.005	.05	Customer P/N	
Draw	KIKI 10/14/03			
Check	App'd	Customer E-SSM		
Engr	Scale	NONE	Units	m/m
	Dwg No.	190-0202	REF: I	Sheet 1/1