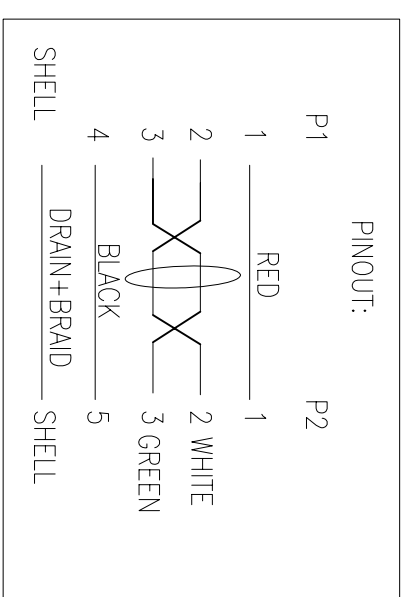
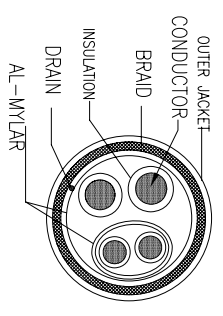
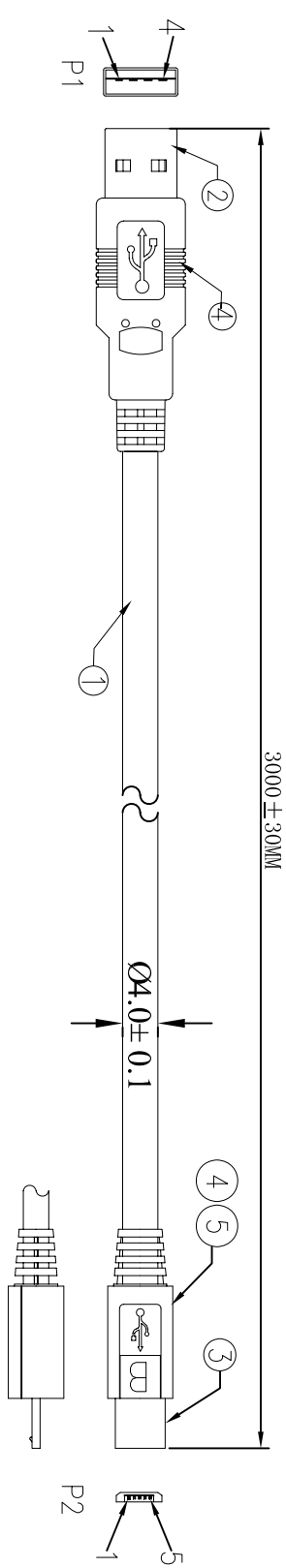
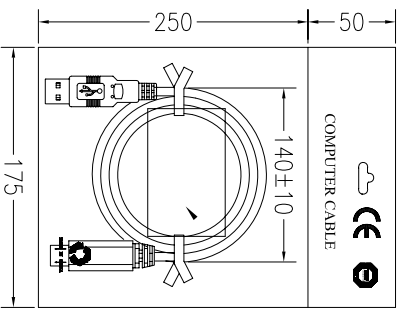


Signature	Revision History	Date	Rev.
Norman Xu	First Release	Jan.18.2007	01



NOTES:

1. CABLE: UL2725 (28#1P+AL)+28#2C+A+D+B(65%), OD:4.0MM,BLACK.
2. USB A TYPE, 4P MALE, WHITE INSULATION,30U" GOLD-PLATED CONTACT,SOLER TYPE.
3. Micro USB B TYPE,30U" GOLD-PLATED CONTACT,SOLDER TYPE.
4. OUTER JACKET:PVC 45P BLACK COLOR.
5. INNER JACKET: PE



1	2	3	4	5	6	7	A
A	B	C	D	E	F	G	H
G	H	1	2	3	4	5	6
1	2	3	4	5	6	7	H

Date	Name
Jan. 18, 2007	Norman Xu
Checked by	Alex
Jan. 18, 2007	
Approved by	Heralt Khnzal
Jan. 19, 2007	

Part No.	AK 67422
Title.	USB A/M TO MIC USB B/M 3M

ASSMANN Electronic GmbH			
Scale	N/A	Sheet	1/1
Unit	MM		

ST82436