



The **DIGITUS Professional Line (600x600 & 600x800)** free standing cabinets suitable for office, Equipment room and cabling closet installation. Attention to styling with attractive colours black Ral9005, light grey Ral7035 or/and Ral7037 with a smoked glass door reinforced with vertical left and right metal frames mean that cabinets can be deployed in the most demanding of office environments when looks really matter. Front door frames is available with decorative trim or customized as blue, green, light blue, red. However, **DIGITUS Professional Line** are an exceptionally rugged and strong cabinet enabling it to be used for all application. The **DIGITUS Professional Line** offers a highly cost-effective and assembly-friendly solutions for numerous applications in the field of network technology and electronics. The **DIGITUS Professional Line** is highly-configurable to the end-users requirements and provides unique features to benefit system designers, installers and network managers. Completely assembled standard cabinet. Can be delivered as a single enclosure with side panels or as a side by side cabinet with no side panels. The rigidly welded frame construction can be dismantled and assembles easily without any special tools. Thus, narrow doors, staircases and lifts are no problem.

19" Digitus Professional Line Cabinets and Racks



FEATURES

*Easy to access

Front door features a full-length smoked and shatterproof glass door with decorative accent trim reinforced with left/right metal frames and integral locking mechanism.

Side doors; lockable, removable complete with slam latches and locks.

Rear door; lockable, removable with lock.

Secure, locking front and back doors with spring loaded hinges offer best accessibility even when connecting the cabinets. The door hinge is easily swapped from one side to the other.

All giving you 4-way access to equipment. Front and rear door can be replaced that gives you flexibility for different installations.

*Cable access

Multiple cable entry points provide maximum versatility. There is a rubber edge sliding cover mechanism that protects and fix the cables.

There is a brush on the rear panel that can be positioned on top or bottom (brush entry available on racks of 32U and above)

*Construction

Rigid welded frame construction in steel sheet, rapidly dismantled per 4 screw per corner. Corner of bases have welded sockets on each corner that tightly fixed into the columns gives maximum stability.

Frames are made with 28-fold design for increased stability.

C-rails (3ea.left + 3ea.right) increase the stability of equipment mounting and fixing shelves in 4 points.

Vented Pagoda-style top cover with built-in space for available top mount cooling system providing protection against dust flow from the top. Besides that it cause a chimney effect to provide passive heat transportation via convection.

19" mounting angles (front/2ea. and back/2ea) allow for flexible configuration and adjustable in depth.

Levelling feet is included as a standard feature.

Extensive range of **accessories**.

Load Carrying Capacity: 600 kg

STANDARDS

* ISO 9001:2000

* 19" mounting to IEC 297-1

* Overall cabinet dimensions to IEC 297-2

COMPLIANCES

UL and cUL

IP Protection: IP40

Glass: 4mm Secure and tempered

Surface Treatment: Fosfat coating

Painting: Ral7035 / Ral9005

Locks: Emka Germany

Handle type: KLT- E1150433-03 / Password Code : 9473

O-type: KLT - E7308 / Password Code : 9473

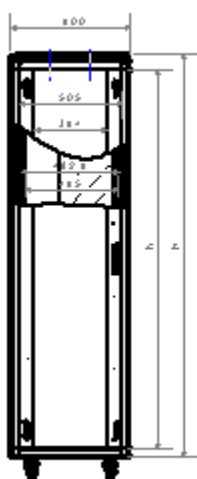
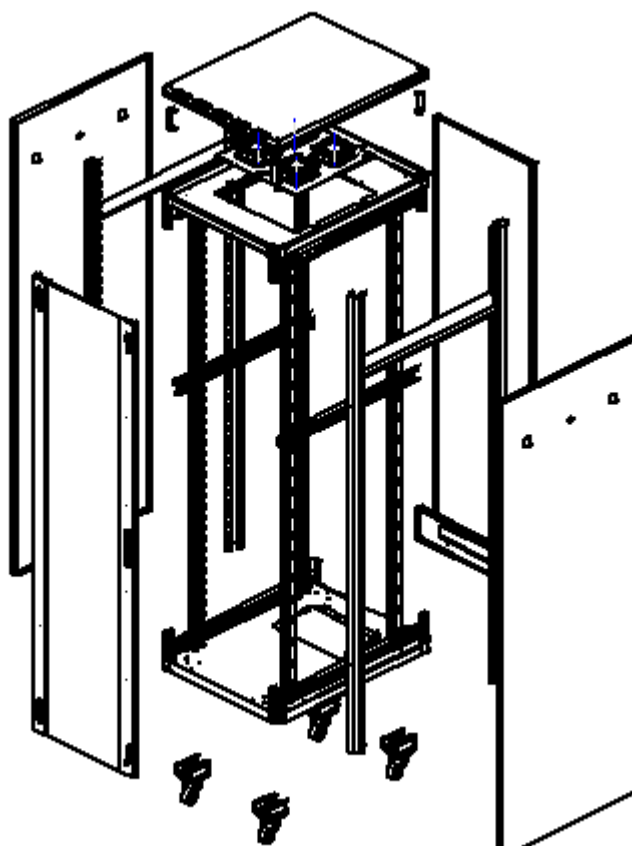
Small O-type: KLT - E7158 / Password Code : 827

Well Packaged: Shrinked plastic with inner surface and outside is covered by high density cardboard .

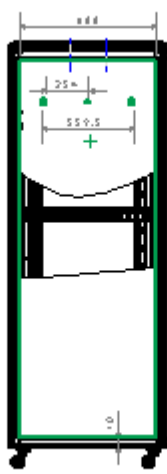
Material Definition and Properties, Thicknesses and Shipment Configuration

Part Definition	Material thickness	Material definition & properties	Shipment Configuration
Caster Profile	2 mm	GALVANIZED	4 ea.
Upper Case	1,5 mm	DIN EN 10130 – 99 EREGLI DC-01 6112 CRS	1 ea.
Bottom Case	1,5 mm	DIN EN 10130 – 99 EREGLI DC-01 6112 CRS	1 ea.
Front Door	1,5 mm	DIN EN 10130 – 99 EREGLI DC-01 6112 CRS	1 ea.
19" mounting angles	1,5 mm	DIN EN 10130 – 99 EREGLI DC-01 6112 & GALVANIZED COATING	4 ea. (2ea. at front , 2ea. at rear)
Frame	1,5 mm	DIN EN 10130 – 99 EREGLI DC-01 7122 CRS	4 ea.
Side Panel Supports	1,5 mm	DIN EN 10130 – 99 EREGLI DC-01 6112 CRS	2 ea.
C-rails	1,5 mm	DIN EN 10130 – 99 EREGLI DC-01 6112 & GALVANIZED COATING	6 ea.
Fan Tray(unloaded)	1,5 mm	DIN EN 10130 – 99 EREGLI DC-01 6112 CRS	1 ea.
Side Doors	1 mm	DIN EN 10130 – 99 EREGLI DC-01 7122 CRS	2 ea.
Top Cover	1 mm	DIN EN 10130 – 99 EREGLI DC-01 6112 CRS	1 ea.
Rear Door	1 mm	DIN EN 10130 – 99 EREGLI DC-01 6112 CRS	1 ea.

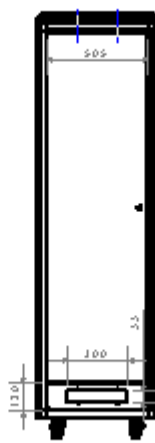
19" Digitus Professional Line Cabinets and Racks Technical Drawings



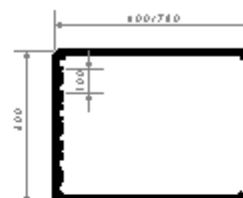
Front View



Side View



Back View



Top View

19" Digitus Professional Line Cabinets *width=600 mm depth=600mm. or 800mm.*

Order No	U= (44,45)	h= inside height(mm)	H=outside height(mm)	Total weight (kg.)	COLOUR	Order No	U= (44,45)	h= inside height(mm)	H=outside height(mm)	Total weight (kg.)	COLOUR
135050 / DN-19 22U-6/6	22	981,10	1106,10	59	Ral7035	135050 / DN-19 22U-6/6-SW	22	981,10	1106,10	59	Ral9005
135678 / DN-19 26U-6/6	26	1158,90	1283,90	68	Ral7035	135678 / DN-19 26U-6/6-SW	26	1158,90	1283,90	68	Ral9005
135685 / DN-19 26U-6/8	26	1158,90	1283,90	75	Ral7035	135685 / DN-19 26U-6/8-SW	26	1158,90	1283,90	75	Ral9005
135142 / DN-19 32U-6/6	32	1425,60	1550,60	83	Ral7035	135142 / DN-19 32U-6/6-SW	32	1425,60	1550,60	83	Ral9005
147114 / DN-19 32U-6/8	32	1425,60	1550,60	95	Ral7035	147114 / DN-19 32U-6/8-SW	32	1425,60	1550,60	95	Ral9005
135159 / DN-19 42U-6/6	42	1870,10	1995,10	107	Ral7035	135159 / DN-19 42U-6/6-SW	42	1870,10	1995,10	107	Ral9005
135166 / DN-19 42U-6/8	42	1870,10	1995,10	121	Ral7035	135166 / DN-19 42U-6/8-SW	42	1870,10	1995,10	121	Ral9005