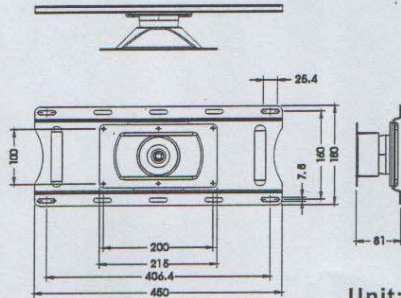
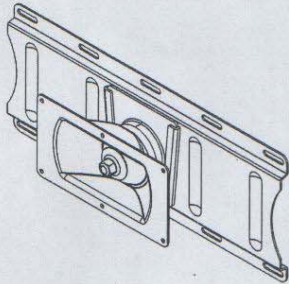




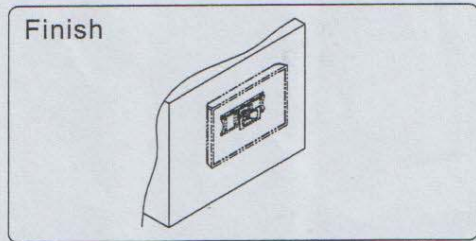
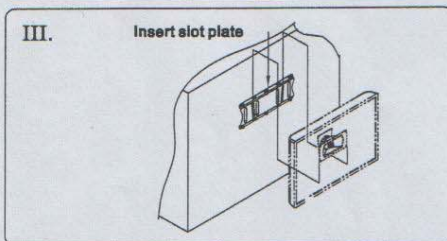
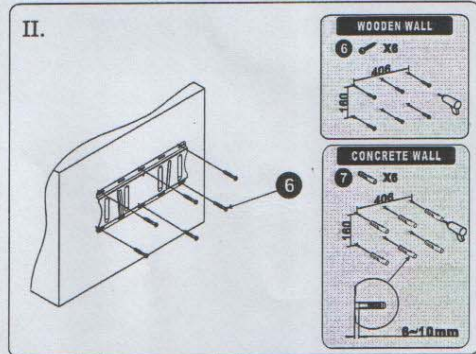
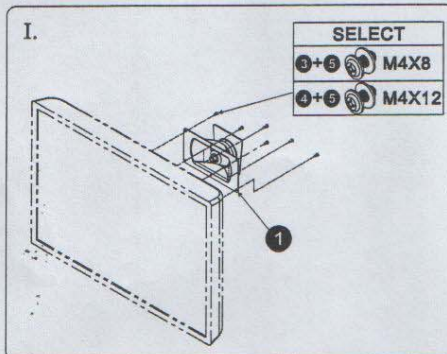
FLAT PANEL TV WALL MOUNT

Specification

- *Screw location for solid wood 40.6x16 cm on the wall.
- *Meet VESA standard 20x10 cm.
- *Strong loading up to 50 kgs LCD TV, PDP.



Unit:mm



MAIN PARTS

ITEM	①	②
PARTS		
QTY	1	1

PARTS FOR TV BRACKETS

ITEM	③	④	⑤
PARTS			
QTY	6	6	6

PARTS FOR WALL BRACKETS

ITEM	⑥	⑦
PARTS		
QTY	6	6