



HDMI Switch User Manual

1. Introduction

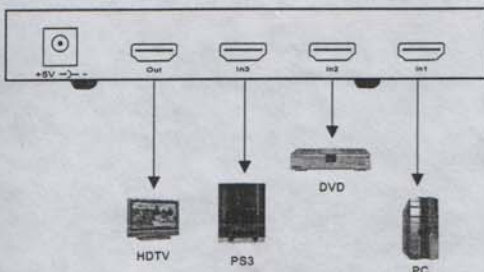
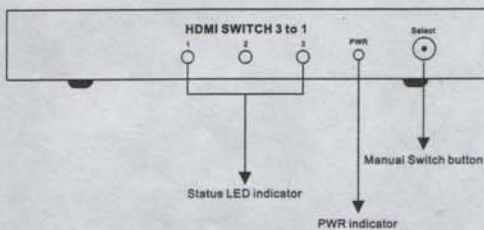
HDMI SWITCH, can have several HDMI devices to share 1 HDMI display, you can switch HDMI devices by manual button or remote control.

2. Features

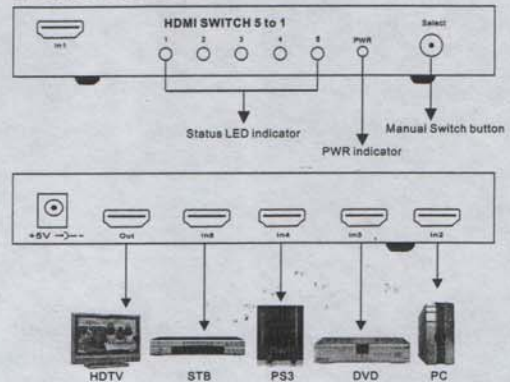
- Save money on hardware-no need multiple high definition displays
- Easily switch of multiple HDMI sources to compatible with DTV resolutions 480i,480p,720i,720p,1080i and 1080p
- Support VGA,SVGA,XGA,UXGA mode
- HDMI Interface is compliant with HDMI 1.3 specification
- Display device selection: push button and remote
- Power adapter:5V 1A
- Plug-and-play, No software installation, Installs in seconds
- Easy to install and simple to operate

3.Application image

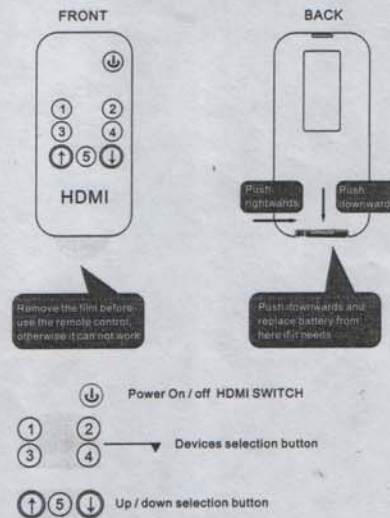
HDMI SWITCH 3 to 1



HDMI SWITCH 5 TO 1



4.Remote control image



5. User Manual

- 1) In1 · In2 · In3····· are for the input devices such as DVD\STB\PC, for the details, please refer to the application image
- 2) "Out" is for output device such as HDTV, for the details, please refer to the application image
- 3) There are 2 selections to switch input devices: Manual switch button and remote control
- 4) Status LED indicators: Press power button on the remote control, to switch device power on or off. If power is on, red power status led indicators will light. By switching an input devices, the relative port will light by blue LED indicator.