



DIGITUS 19" ECOLINE Ecoframe 's : For that situation where quick access to the equipment is of primary importance. It is designed to house 19" standard mounting devices. Generally it is used in such an environment, minimum dustiness, air conditioned, protected against unauthorized access provided. The ECOLINE Ecoframe rack offers a highly cost-effective and assembly-friendly solutions for numerous applications in the field of network technology and electronics.

19" Digitus ECOLINE Ecoframe Racks



FEATURES

- *Its smart design features to use it as single frame or double frame. When it is used as double frame, with an extension kit, depth can be adjustable. (d=600mm. or d=800mm.)
- *4 point fixings of sliding and fixed shelves is possible by using standard accessories. Because of its modular design, it is easy to assemble and dismantled.
- *Uprights are punched in full-length with square holes to use standard accessory cable ring for cable management. Standard with levelling feet.
- *Its sturdy upright frames are 9-fold special frame on each side for maximum stability.
- *Load carrying capacity is influenced by the distribution of the load. However, loads of 300kg. suitably distributed could be considered safe. When using mobile base care should be taken with excessive loads.

STANDARDS

- *ISO 9001:2000
- *19" mounting to IEC 297-1
- *Overall cabinet dimensions to IEC 297-2

Load Carrying Capacity: 300 kg

COMPLIANCES

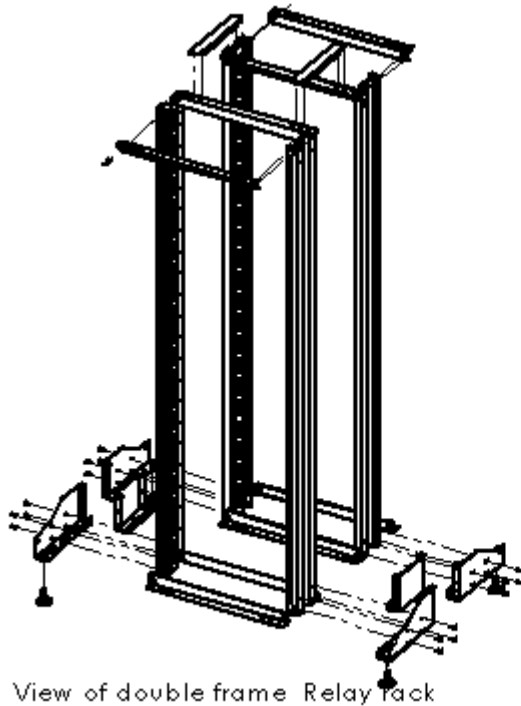
UL and cUL

Surface Treatment : Fosfat coating

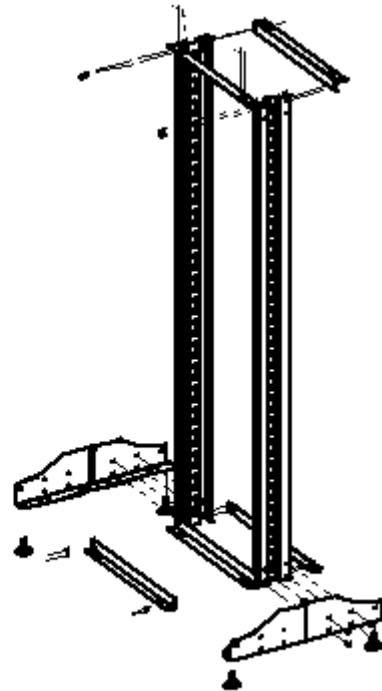
Painting : Ral7035 / Ral9005

Material Definition and Properties, Thicknesses and Shipment Configuration

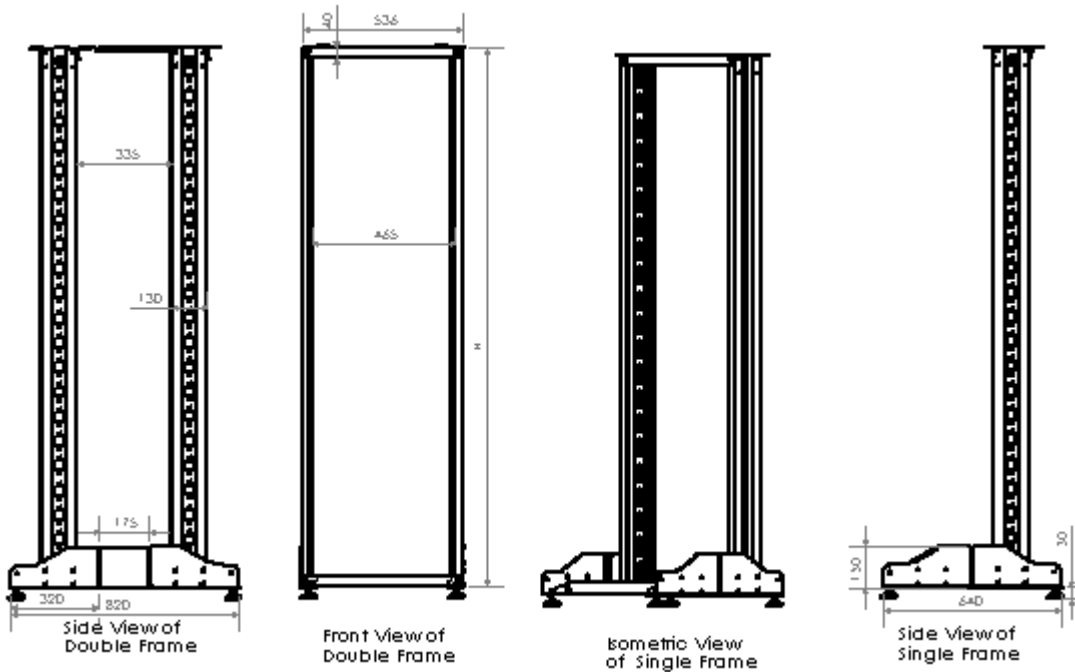
Part Definition	Material thickness	Material definition & properties	Shipment Configuration
Base	2,5 mm	DIN EN 10130 – 99 EREGLI DC-01 6112 CRS	4 ea.
Horizontal Support	2,5 mm	DIN EN 10130 – 99 EREGLI DC-01 6112 CRS	5 ea. for single frame / 8 ea. for double frame
D=800 Extension Kit	2,5mm	DIN EN 10130 – 99 EREGLI DC-01 6112 CRS	2 ea. for double frame
Vertical Support	2 mm	DIN EN 10130 – 99 EREGLI DC-01 6112 CRS	2 ea. only for double frame
Frame	1,5 mm	DIN EN 10130 – 99 EREGLI DC-01 7122 CRS	2 ea. for single frame / 4 ea. for double frame



View of double frame Relay rack



View of Single Frame Relay rack



Digitus ECOLINE Ecoframe Racks width=530 mm depth=600/800 mm				
Order No	U= (44,45)	h= inside height(mm)	H=outside height(mm)	Total weight (kg.)
189879 / DN-19 42U-S	42	1870,10	1954,30	43
189893 / DN-19 42U-D	42	1870,10	1954,30	56