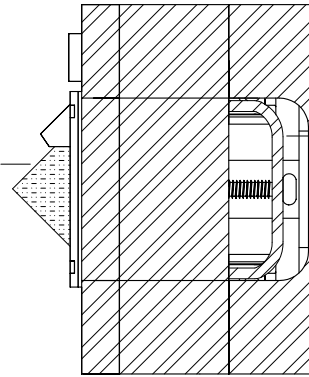


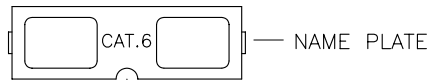
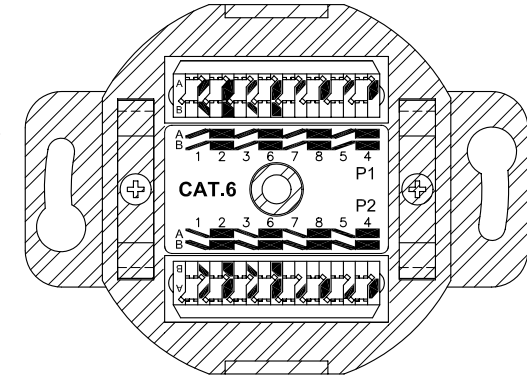
UPPER CASE

45° ANGLE
RJ45 JACK

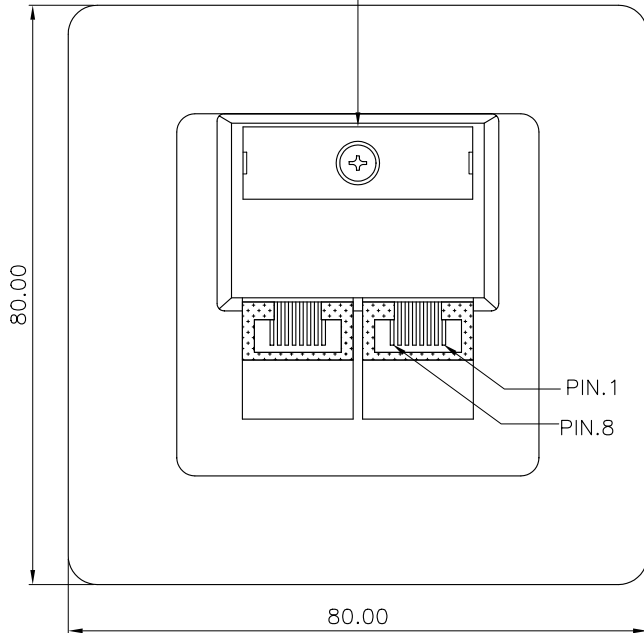


CABLE CLIP

MIDDLE CASE BOTTOM CASE



NAME PLATE



Color coding information

T568B			T568A		
COLOR CODE	IDC TERMINAL	RJ45 JACK	COLOR CODE	IDC TERMINAL	RJ45 JACK
WHITE/BLUE	PIN.5	PIN.5	WHITE/BLUE	PIN.5	PIN.5
BLUE	PIN.4	PIN.4	BLUE	PIN.4	PIN.4
WHITE/ORANGE	PIN.1	PIN.1	WHITE/GREEN	PIN.1	PIN.1
ORANGE	PIN.2	PIN.2	GREEN	PIN.2	PIN.2
WHITE/GREEN	PIN.3	PIN.3	WHITE/ORANGE	PIN.3	PIN.3
GREEN	PIN.6	PIN.6	ORANGE	PIN.6	PIN.6
WHITE/BROWN	PIN.7	PIN.7	WHITE/BROWN	PIN.7	PIN.7
BROWN	PIN.8	PIN.8	BROWN	PIN.8	PIN.8

Specification

- Flash Mounting Central Plate: ABS HB.
- Up Middel & Bottom case: Zinc Die-Casting.
- RJ45 Jack : 45 Degree Angle type.
Housing : PBT, UL94 V0.
Conductor : Phosphor Bronze with 50 micro-inch Gold plating.
Contact Finished : Contact area : 50 micro-inch min. Gold plated.
Solder area : 50-60 micro-inch Tin-lead plated.
50-60 micro-inch Nickel plated on the contact side of the conductor.
- New KRONE connector---Body: PC UL94 V0
- IDC Terminal : Phosphor Bronze with 50 micro-inch Tin-lead plated over 50-60 micro-inch Nickel plated.
- Cable Clip: Zinc Die-Casting.
- P.C.Board: FR4 1.6 m/m double side.
- Taping screw: M2.6x8m/m, M2.6x10m/m, M4x13m/m, M2.4x16m/m.

Remark:

- JE307B-C6-FSX/XX
- ① D=DUAL JACK ① ②
S=SINGLE JACK
② Color : White & Ivory

NOTE: TOL ±0.1m/m

	DSGN	Alice	14.May.2004	ITEM NO: DN-9006
	CHK			
UNIT M / M	APPR			Flush Mounting plate. Full Shielded
SCALE 1/1	<h1>ASSMANN Electronic Components</h1>			
DWG NO: DN-9006				