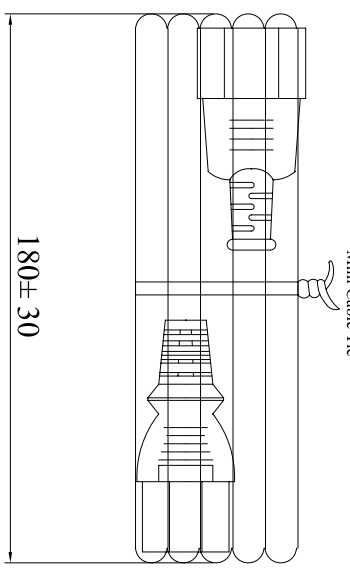
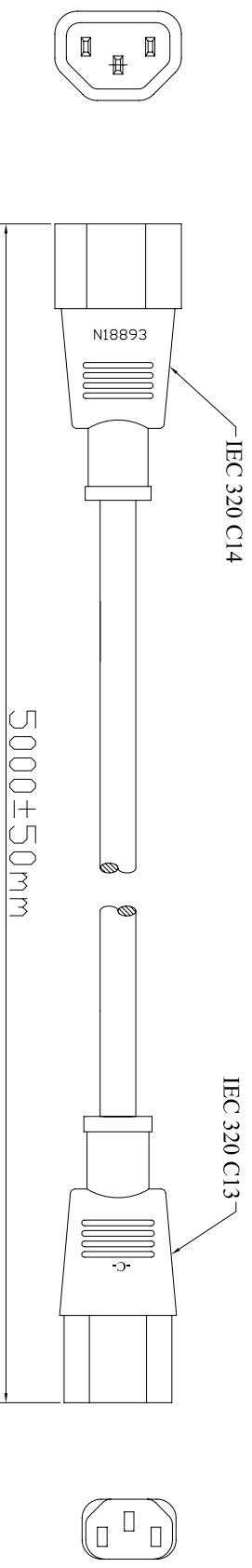


Signature	Revision History	Date	Rev.
Norman Xu	For Bulk Production	Dec:20,2005	01



**CORD MARKING:**  
 ▷VDE▷ KEMA–KEUR + S + S + S ▷OVE▷ ΔCEBEC 809  
 S D N FI NF–USE 1105 IEMMEQU H05W–F 3G 1.0mm<sup>2</sup>  
 3ASL/100 Q90033 IEC 227

**MARKS ON C 14 PLUG**  
 10A 250V~

**MARKS ON C 13 PLUG**  
 10A 250V~

**NOTES:**  
 1. PLUG: IEC 320 C14 ; Socket : IEC 320 C13  
 2. Cord: H05VV–F 3G1.0MM 2  
 3. COLOR: BLACK  
 4. LENGTH: 5000 ± 50MM

**RoHS Compliant**

Date	Name
Dec:20,2005	Norman Xu
Checked by	Alex Dan
Dec:20,2005	
Approved by	

Part No.	AK 503 5M
Title:	POWER CORD IEC 320 C14 TO IEC 320 C13, 5M

**ASSMANN**  
 Electronic GmbH

Scale	N/A	Sheet	1/1
Unit	MM		

1	2	3	4	5	6	7	A
1	2	3	4	5	6	7	H