



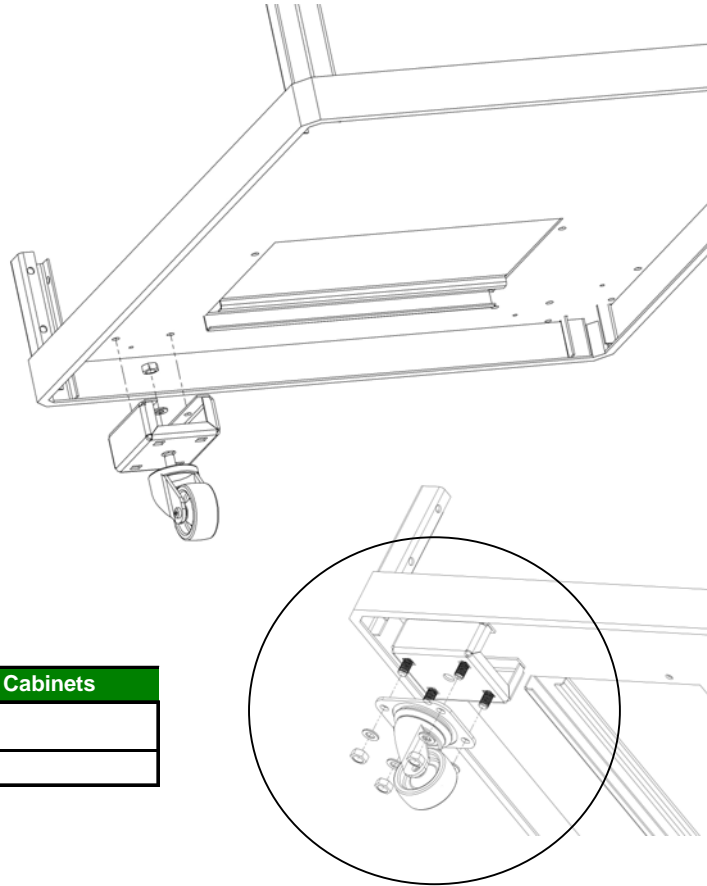
# ACCESSORIES

## - Castor Group and Levelling Feet -

### Castor Group for DIGITUS Professional Line Free Standing Cabinets

#### Castor Group

- Rotational type
- 1set= 4 castor (2ea. at front with brake , 2ea. at rear without brake )
- Load capacity per castor=250kg. static load



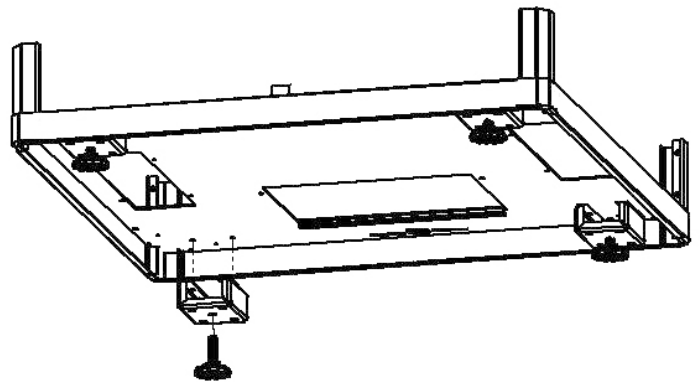
#### Castor Group for DIGITUS Professional Line Free Standing Cabinets

Order No	Product Definition
M22 TKGR1	CASTER GROUP ( four point fixing )

### Levelling Feet for DIGITUS Professional Line Free Standing Cabinets

#### Levelling Feet

- 1set= 4 ea.
- Load capacity per feet=250kg. static load



#### Levelling Feet for DIGITUS Professional Line Free Standing Cabinets

Order No	Product Definition
M11 PNY02	LEVELLING FEET