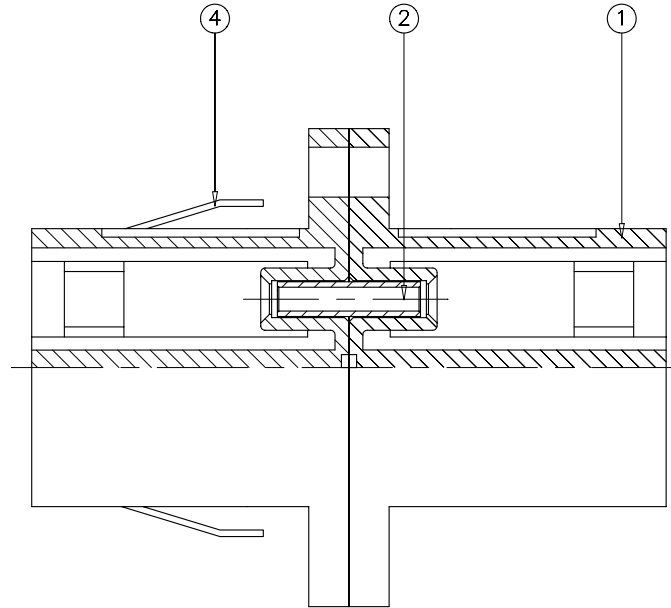
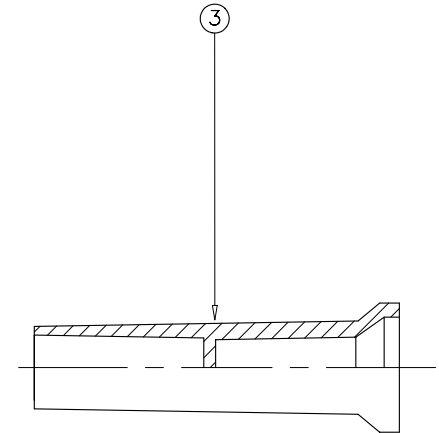


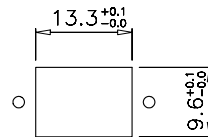
White



Blue



White



SUGGESTED PANEL CUTOUT

MECHANICAL

- 1. HOUSING: PC.
- 2. SLEEVE: PHOSPHOR BRONZE.
- 3. DUST COVER: TPU.
- 4. CLIP: STAINLESS.

	DSGN	MAER	18.MAY.2004	ITEM NO:	ALWL-LCID
	CHK				
UNIT	M/M	APPR			LC Duplex Adaptor Type MM
SCALE					
DWG NO:	ASSMANN Electronic Components				
ALWL-LCID					