

1

2

3

4

5

6

7

Signature	Revision History	Date	Rev.
Alex.Dan	For Bulk Production	Dec.20,2006	01

A

A

B

B

C

C

D

D

E

E

F

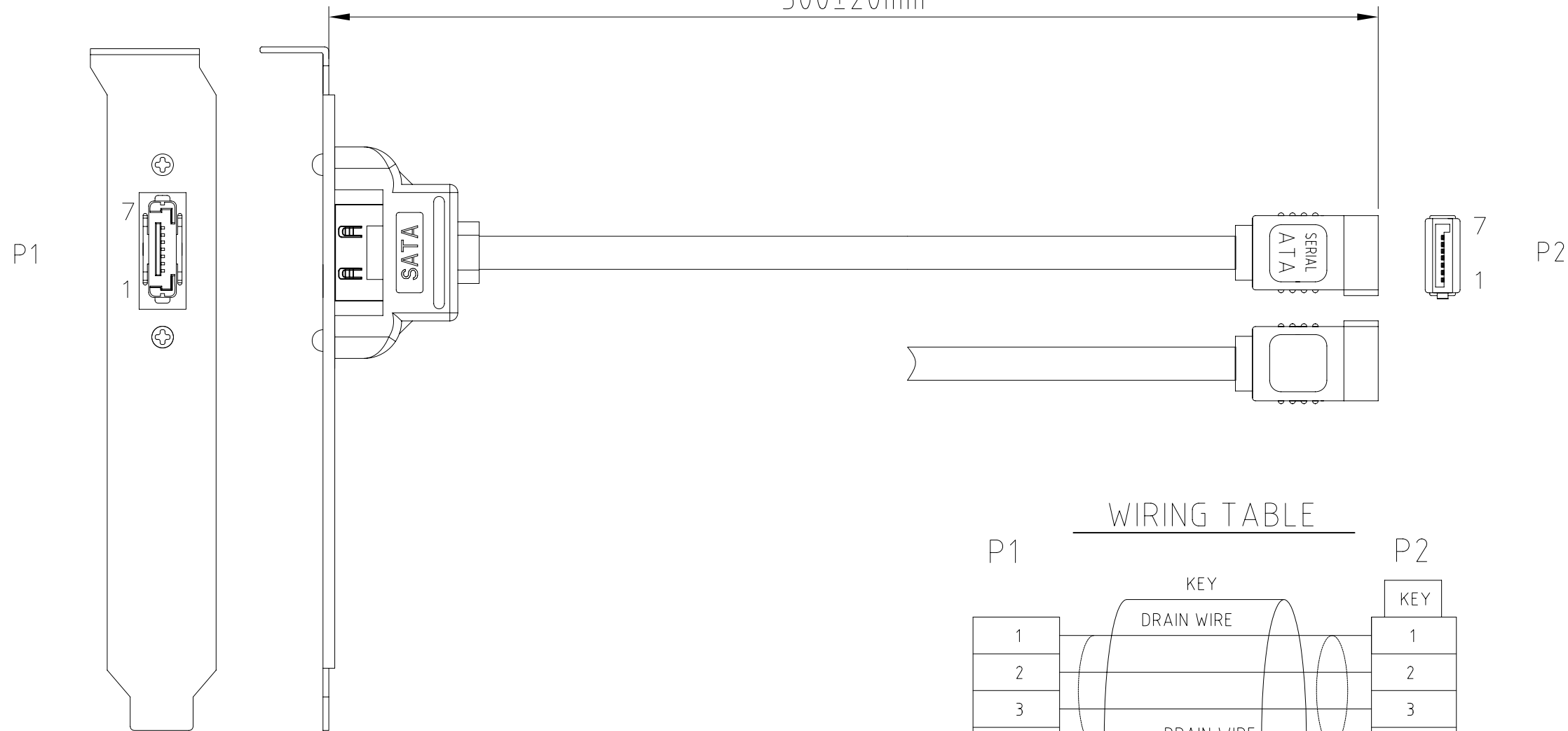
F

G

G

H

H



WIRING TABLE

P1		KEY	P2	
		KEY		
1	DRAIN WIRE	KEY	1	KEY
2			2	
3			3	
4	DRAIN WIRE	KEY	4	KEY
5			5	
6	DRAIN WIRE	KEY	6	KEY
7			7	

NOTE:

- 1. CABLE:  
UL2725 80°C 30V [26AWG(1/0.404)×2F+AL/MY+DRAIN WIRE(1/0.32)×2]TIN  
INS:FOAM-PE OD:φ1.1±0.05mm  
PVC JACKET OD:φ(2.2±0.1)×(7.8±0.2)mm COLOR:RED (PANTONE 200C)
- 2. CONNECTOR:  
P1: SATA II 7P RIVETING TYPE PBT BLACK G/F W/METAL SHELL  
P2: SATA I 7P L TYPE PBT BLACK G/F
- 3. HOOD: MOLDED TYPE, PVC 45P, COLOR:BLACK
- 4. CABLE ASS'Y ELECTRICAL TEST:  
4-1 100% OPEN SHORT & MIS WIRE TEST  
4-2 CONTACT RESISTANCE 3 OHM MAX  
4-3 INSULATION RESISTANCE 10M OHM MIN  
4-4 HI-POT DC300V/0.01SEC.
- 5.PACKING: SEE P-0039 REV.C PACKING DRAWING.

RoHS Compliant

EAN Code:  
4016032193807

ST81407

	Date	Name	Part No.	
Drawn by	Dec.20,2006	Alex Dan	<b>AK-ESATA-SB1</b>	
Checked by	Dec.20,2006	Norman Xu		
Approved by				
<b>ASSMANN</b> Electronic GmbH			Title.	
			Slotbracket with eSATA Connector	
Scale	N/A	Sheet		
Unit	MM	1/1		

1

2

3

4

5

6

7